



Ref no. JDB57-002

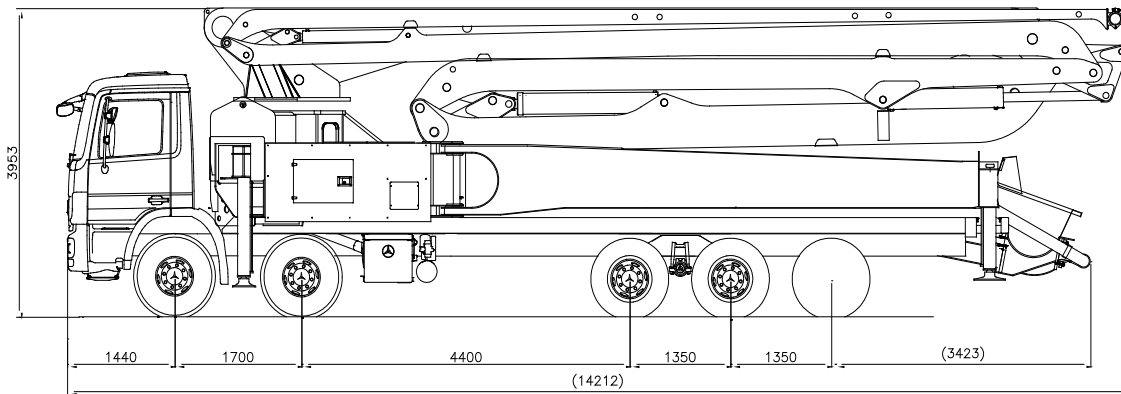
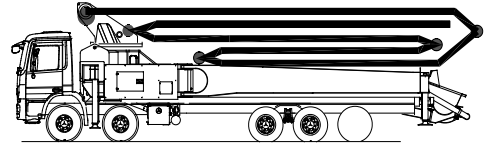
DATA SHEET

TRUCK MOUNTED BOOM PUMP



JXRZ57-5.18HP

57M Truck Mounted Boom Pump
with 177 m³/h Output & Roll-Z Type Boom Design



* Remark : Standard specification with MB4148. Dimension depends on truck specification.

TECHNICAL SPECIFICATION

GENERAL SPECIFICATION		PUMP SPECIFICATION			BOOM SPECIFICATION	
Delivery Line	DN 125 / 5"	Output	Rod	177 m ³ /h	Number of booms	5 Sections
Radio remote	Proportional control		Piston	120 m ³ /h	Folding Type	R & Z TYPE
Wear plate / Ring	Tungsten Carbide	Pressure	Rod	87 Bar	Vertical Height	56.2 m
Water Pump	20 Bar		Piston	130 Bar	Horizontal Reach	51.2 m
Water Tank	800 Liter	Delivery Cylinder (Hard-chromed)	Ø230 mm		Unfolding height	14.8 m
Auto Lubrication	Hyd. grease, Hopper	Stroke Length	2100 mm		End-Hose Length	4.0 m
		S - Valve	8" X 7"		1st Section	11.1 m
		Main Oil Pump	Rexroth Hydromatic		2nd Section	8.5 m
		System Pressure	350 Bar		3rd Section	9.0 m
		Switching Type	Hydraulic		4th Section	11.6 m
		Hopper Capacity	600 Liter		5th Section	12 m

* All technical data are theoretical values and Specification are subject to change without prior notice.
* www.junjin.com



Ref no. JDB57-002

DATA SHEET

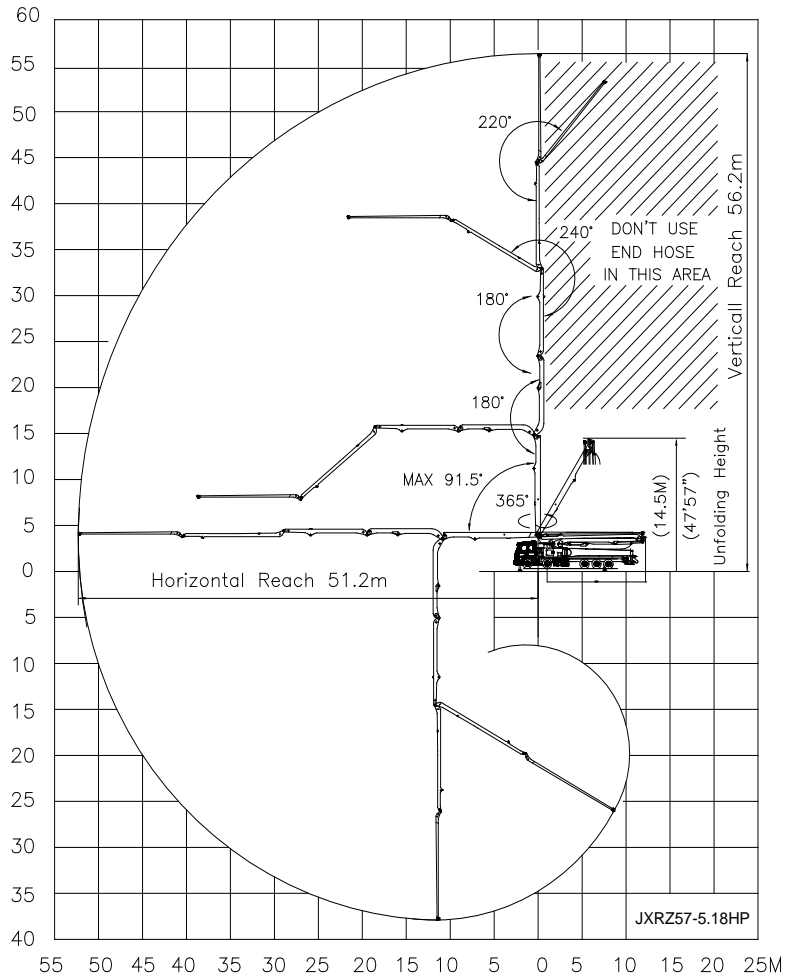
TRUCK MOUNTED BOOM PUMP



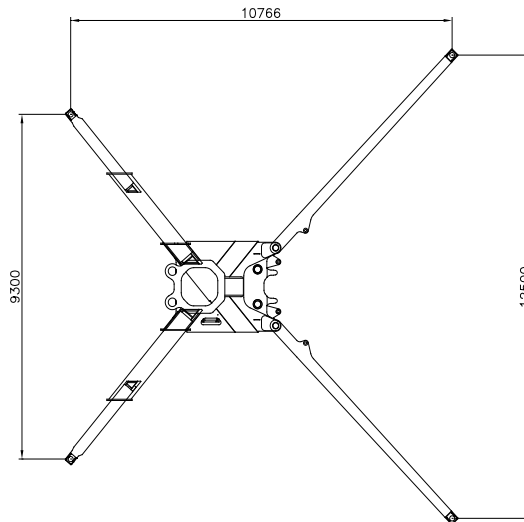
JXRZ57-5.18HP

57M Truck Mounted Boom Pump
with 177 m³/h Output & Roll-Z Type Boom Design

**BOOM
WORKING
DIAGRAM**



**OUTRIGGER
SPAN**



* All technical data are theoretical values and Specification are subject to change without prior notice.
 * www.junjin.com